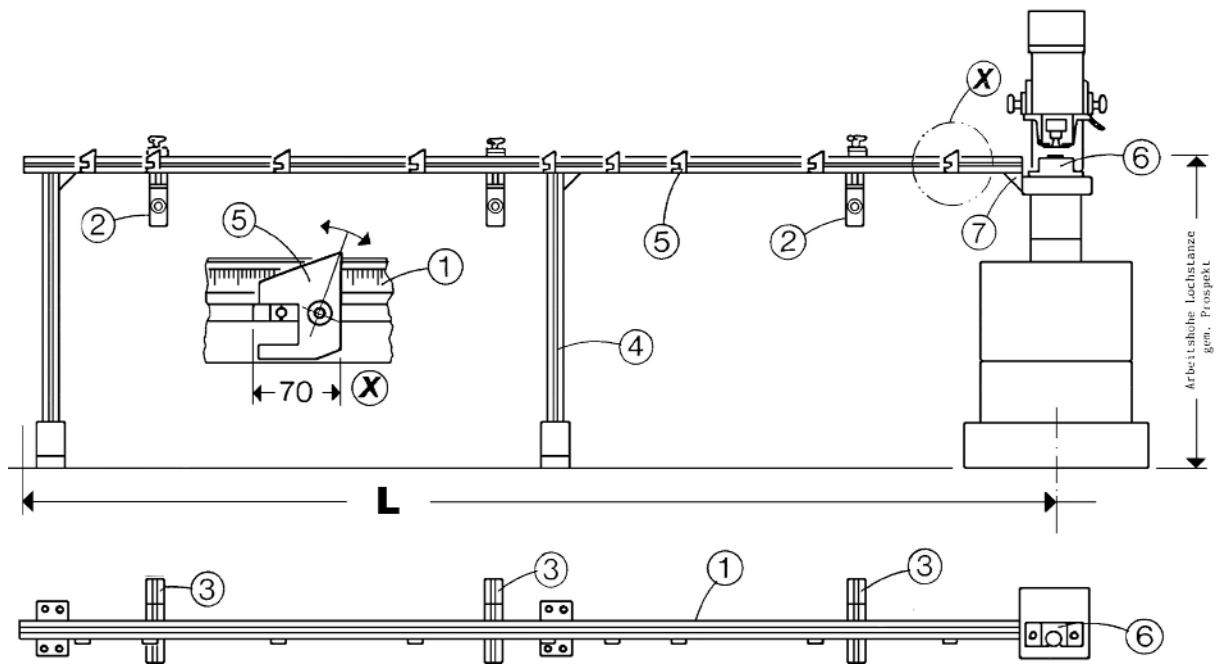


Structural Gauging Bar Type LML

Ref. No. 524

for punching rows of holes in flat bar and angle iron up to 100 mm



(arrangement example)

Type	L	item 2 pieces	item 3 pieces	item 4 pieces	item 5 pieces
LML 1 meter	1,125 mm	1	1	1	3
LML 2 meters	2,125 mm	3	3	2	6
LML 3 meters	3,125 mm	3	3	2	9

- 1 gauging bar with mm graduation
- 2 material support, height-adjustable
- 3 depth adjustment
- 4 leg with fixed base
- 5 hinged stop
- 6 die holder
- 7 connecting angle